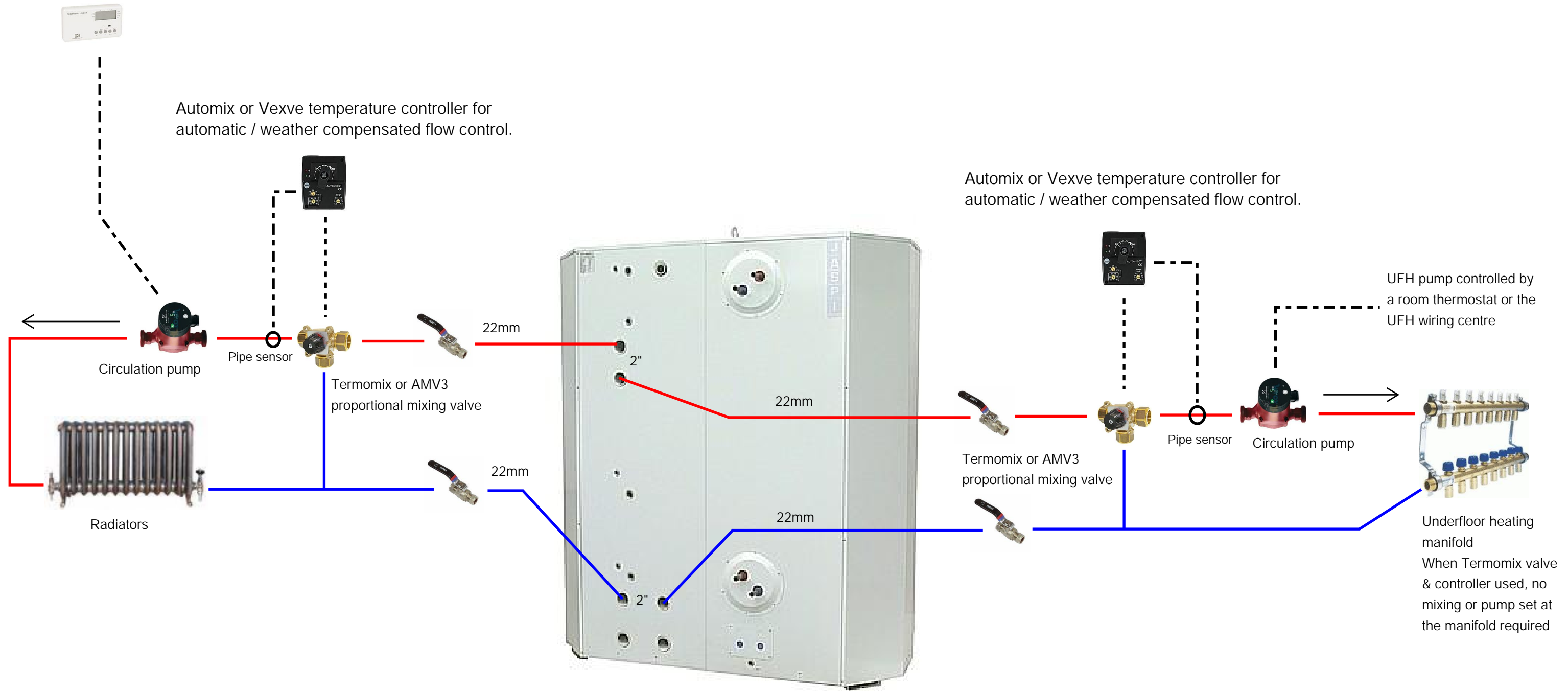


Radiator Timer / Room thermostat



NOTE

This drawing is for guidance only.
 There are multiple ways of connecting the heating circuit(s) to the thermal store.
 For more information and technical assistance, please contact us;
info@northmangroup.co.uk
 or call 01392 247 340

Part	Drawing number Item reference	Part or assembly group name	Standard or catalog	Shape, Dimension Designation	Quality	Qty
General tolerances	Scale	Product	Oval 1500/1800			
Project		Ref	Oval heating connections			
Design	28.02.2011 SS	Mass	Prev			
Check		kg	New			
Acc			GENERIC			

