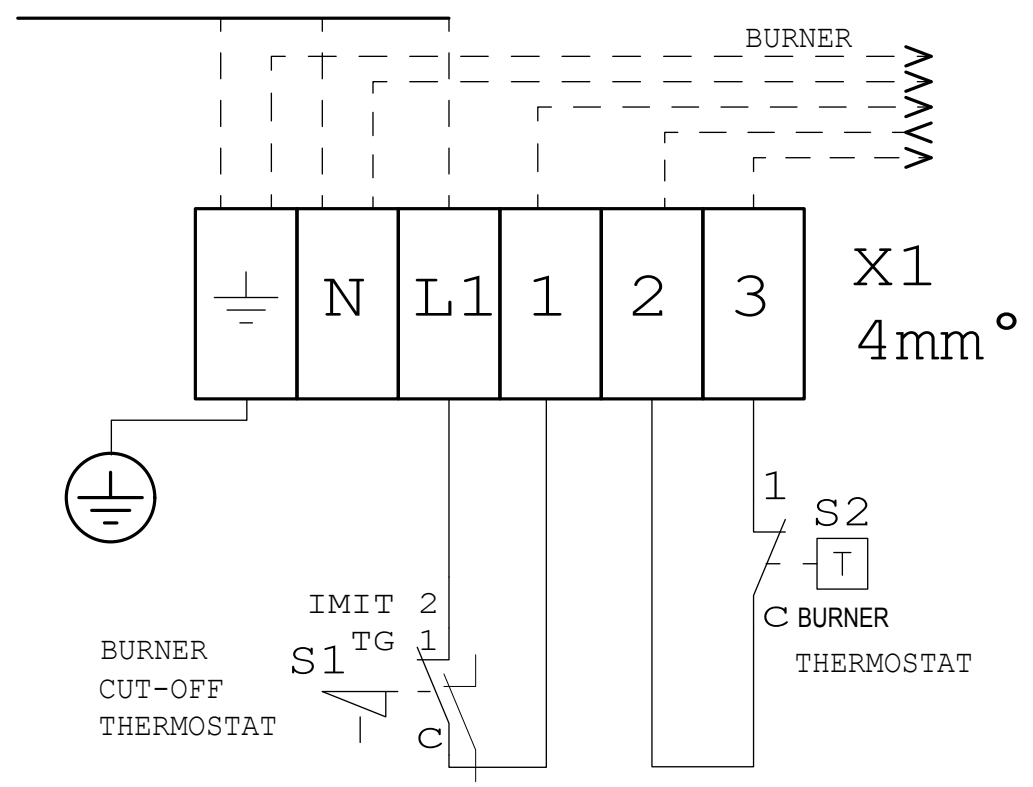


If the burner requires a positive switching signal, install a jumper between the poles No 1 & 2

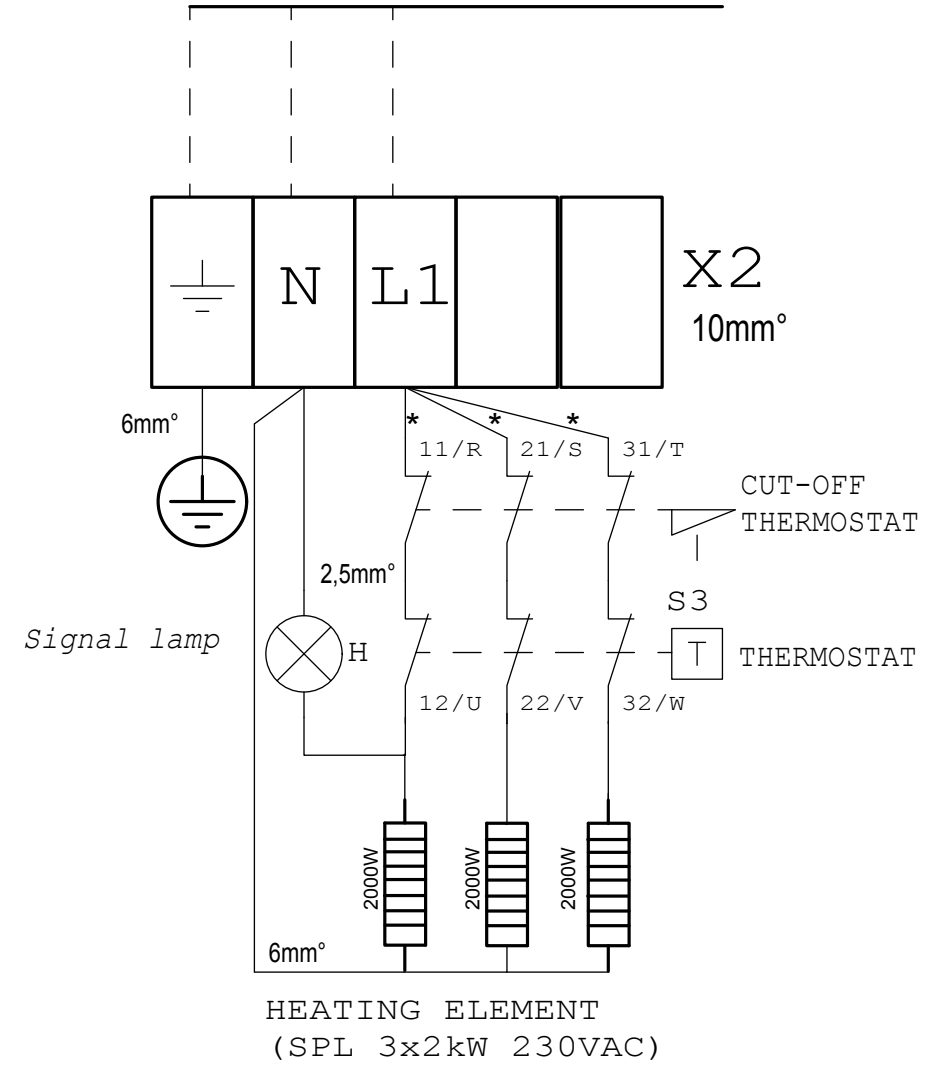
FEED FROM BURNER SWITC
MAX. 240V/10A



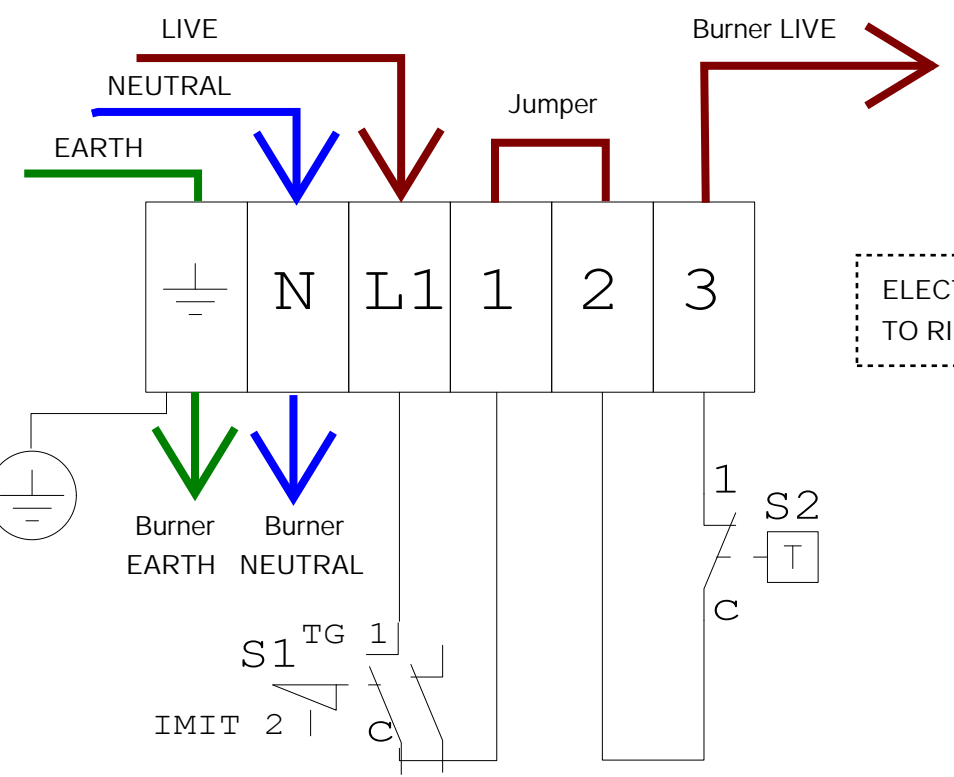
Factory setting for the immersion heater is 4kW (two elements in use).
Connect or disconnect the elements to the power required.
NOTE ! The total element power must not exceed the power of the consumer unit fuse or the rating of the boiler's power feed cable.

FEED 230-240V 1~ FROM THE CONSUMER UNIT

- ***6kW 30A 10mm² TWIN AND EARTH
- **4kW 20A 6mm² TWIN AND EARTH
- * 2kW 10A 2,5mm² TWIN AND EARTH



HEATING ELEMENT
(SPL 3x2kW 230VAC)



ELECTRICAL CONNECTION
TO RIELLO 40G3B BURNER

MUUTOS			
MUUTOS			